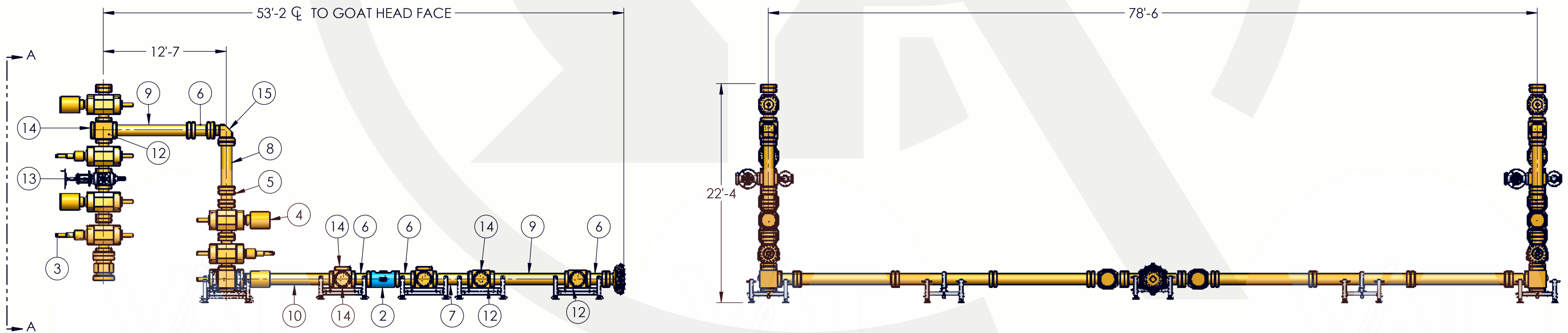


ITEM NO.	DESCRIPTION
1	7.1/16"-15M X 3.1/16"-15M 6 WAY GOAT HEAD
2	7.1/16"-15M STUDDED CHECK VALVE
3	7.1/16"-15M BX-156 FLANGED BSO VALVE
4	7.1/16"-15M BX-156 FLANGED HYD. VALVE
5	7.1/16"-15M BX-156 FLANGED SPOOL X 16.00 OAL
6	7.1/16"-15M FLANGED SPOOL X 24.00" OAL
7	7.1/16"-15M FLANGED SPOOL X 48.00" OAL
8	7.1/16"-15M FLANGED SPOOL X 60.00" OAL
9	7.1/16"-15M FLANGED SPOOL X 96.00" OAL
10	7.1/16"-15M FLANGED SPOOL X 120.00" OAL
11	7.1/16"-15M BX-156 (3) WAY BLOCK
12	7.1/16"-15M BX-156 (4) WAY BLOCK
13	7.1/16"-15M X 4.1/16" X 3.1/16" (5) WAY BLOCK
14	7.1/16"-15M BLIND FLANGE BX-156
15	7.1/16"-15M BX-156 ROTATING FLANGE
16	7.1/16"-15M X 11.00" DSA 5.00" THK
17	11.00"-15M TUBING SPOOL
18	SUPPORT STAND, HYBRID, HITCH AND PIN
19	3.1/16"-15M HWO GATE VALVE
20	4.1/16"-15M HYD. GATE VALVE



UNLESS OTHERWISE SPECIFIED:

DIMENSIONS ARE IN INCHES
 BREAK ALL SHARP EDGES
 ANGULAR ±1°
 FRACTIONAL ±1/16
 X.X ±.030
 X.XX ±.015
 X.XXX ±.005

THIS DOCUMENT IS PROPRIETARY AND CONFIDENTIAL PROPERTY. THIS DOCUMENT CANNOT BE REPRODUCED OR DISTRIBUTED WITHOUT THE WRITTEN CONSENT OF SCOPE TECHNOLOGY.

ALL PRINTED COPIES ARE UNCONTROLLED.
 © 2022 SCOPE SURFACE SOLUTIONS, LLC

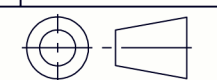
DRAWN BY:
 TC

APPROVED BY:
 MC

THIRD ANGLE PROJECTION

DATE:
 8/29/2023

DATE:
 8/29/2023



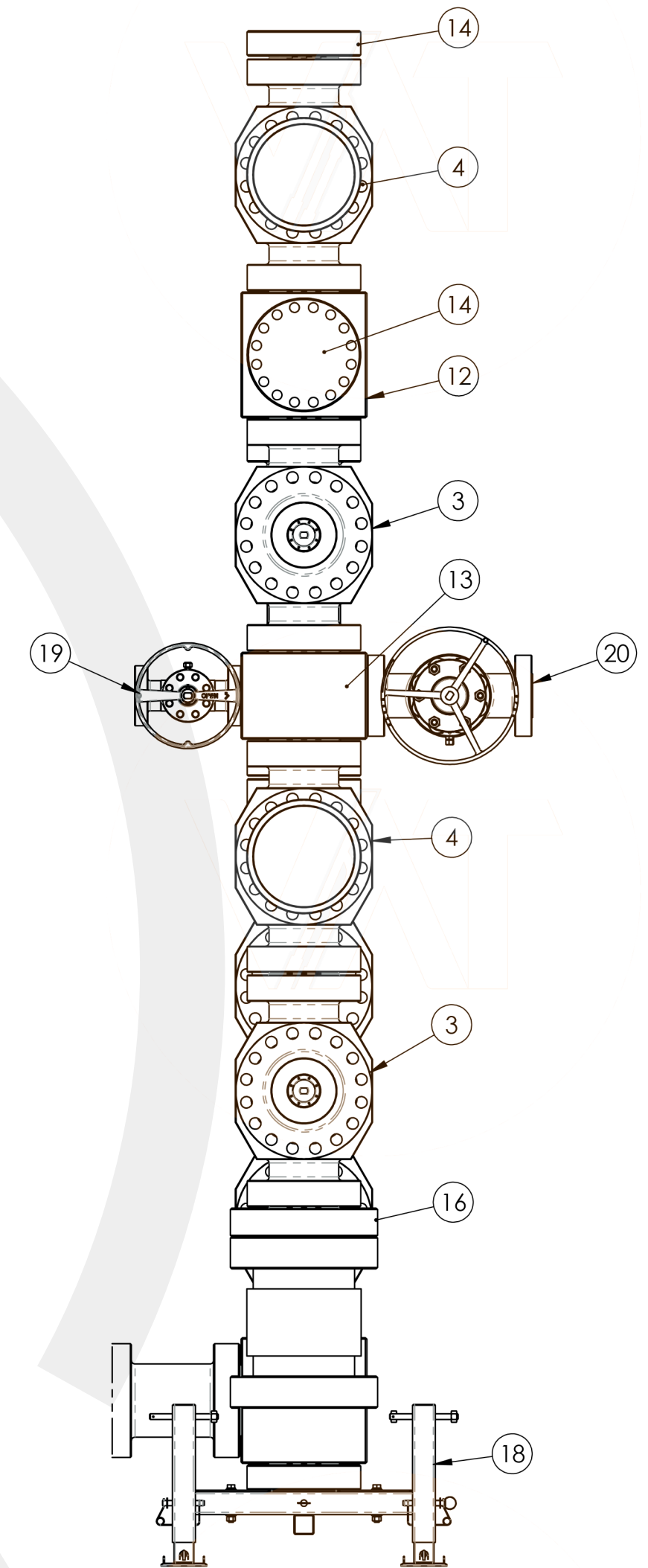
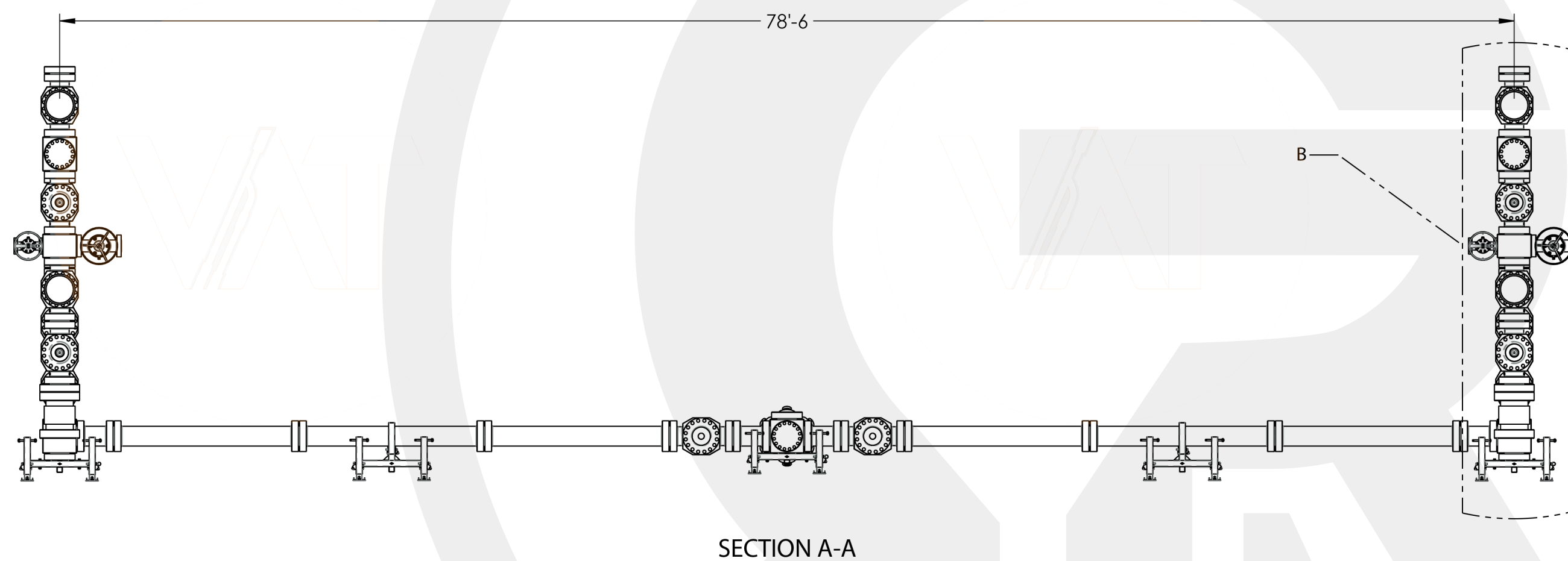
TITLE:
 ZIPPER / MONOBORE GENERAL ARRANGEMENT

SHEET:
 1 OF 2

WEIGHT:
 193125 LBS.

DRAWING NO.:
 STM1104

REV:
 A



DETAIL B

UNLESS OTHERWISE SPECIFIED:

DIMENSIONS ARE IN INCHES
BREAK ALL SHARP EDGES
ANGULAR $\pm 1^\circ$
FRACTIONAL $\pm 1/16$
X.X $\pm .030$
X.XX $\pm .015$
X.XXX $\pm .005$

THIS DOCUMENT IS PROPRIETARY AND CONFIDENTIAL PROPERTY. THIS DOCUMENT CANNOT BE REPRODUCED OR DISTRIBUTED WITHOUT THE WRITTEN CONSENT OF SCOPE TECHNOLOGY.

ALL PRINTED COPIES ARE UNCONTROLLED.
© 2022 SCOPE SURFACE SOLUTIONS, LLC

DRAWN BY:

TC

DATE:

8/29/2023

TITLE:

ZIPPER / MONOBORE GENERAL
ARRANGEMENT

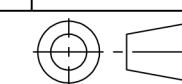
APPROVED BY:

MC

DATE:

8/29/2023

THIRD ANGLE
PROJECTION



SHEET:

2 OF 2

WEIGHT:

193125 LBS.

DRAWING NO.:

STM1104

REV:

A